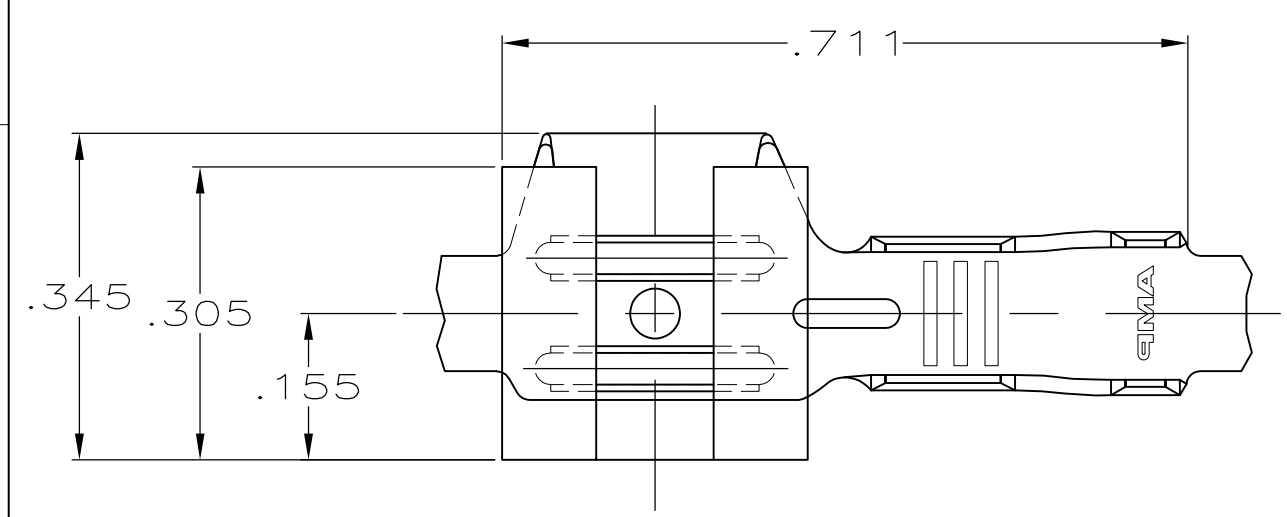
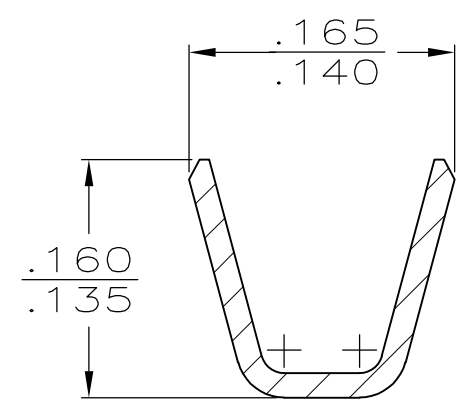
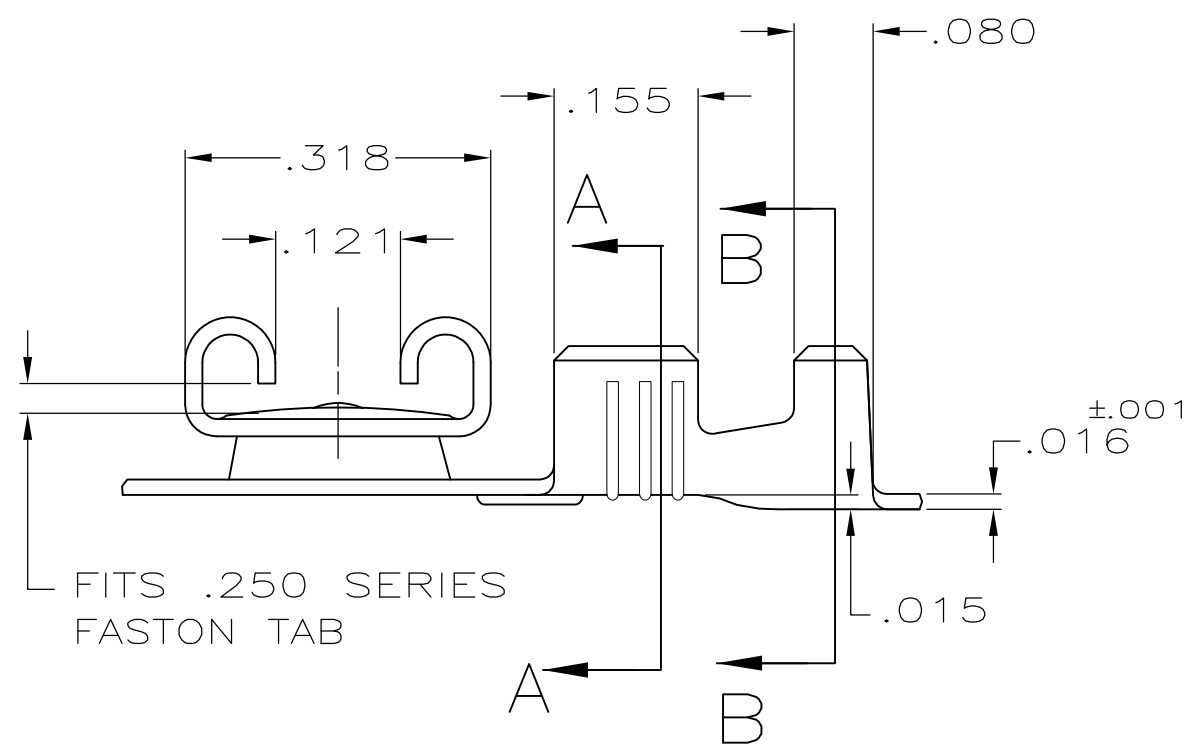


THIS DRAWING IS UNPUBLISHED. RELEASED FOR PUBLICATION  
 © COPYRIGHT - By - ALL RIGHTS RESERVED.

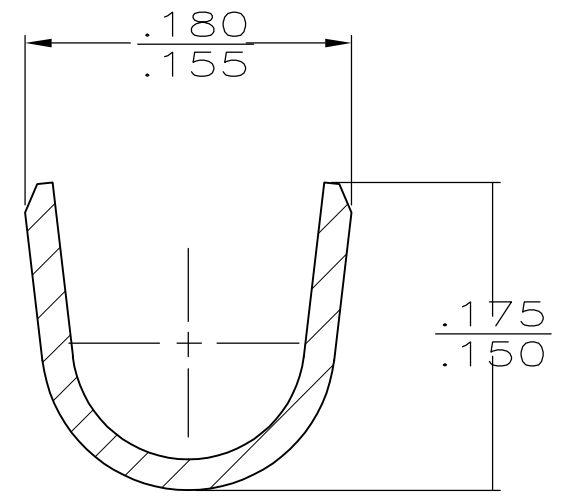
LOC	DIST	REVISIONS			
P	LTR	DESCRIPTION	DATE	DWN	APVD
AF	50	H	REVISED PER ECR-12-013459	28NOV2012	KH PD



1 CONTINUOUS STRIP ON REELS.


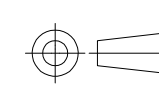


SECTION A-A  
SCALE 8:1



SECTION B-B  
SCALE 10:1

TIN	.090.-130	18-14	.032	62048-2
-	.090.-130	18-14	.032	62048-1
FINISH	INSUL RANGE	WIRE SIZE	MATING TAB THK ±.001	PART NO

THIS DRAWING IS A CONTROLLED DOCUMENT.		DWN JR RUTH 6/7/91	 TE Connectivity RECEPTACLE, FASTON™, FLAG, REVERSIBLE, .250 SERIES			
DIMENSIONS: INCHES		CHK MS FEHER 6/7/91				NAME
		APVD C MEYERS 6/7/91				PRODUCT SPEC
TOLERANCES UNLESS OTHERWISE SPECIFIED: 0 PLC ± - 1 PLC ± - 2 PLC ± - 3 PLC ± .015 4 PLC ± - ANGLES ± -		APPLICATION SPEC				114-2032
MATERIAL BRASS	FINISH SEE TABLE	WEIGHT -	SIZE A3	CAGE CODE 00779	DRAWING NO C-62048	RESTRICTED TO -
CUSTOMER DRAWING			SCALE 5:1	SHEET 1 OF 1	REV H	